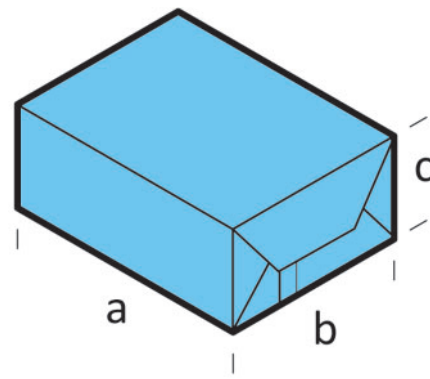
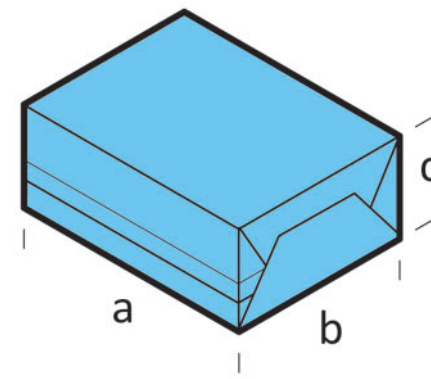


Base seal presentation



Trailing edge seal presentation



Model	EVO series
Speed	45 overwraps per minute*
'a' length	50-305mm
'b' width	40-200mm
'c' height	15-125mm

Evo series

- Relay logic control
- Mechanical gripper film pull system
- Simple operation and maintenance
- Large pack size capability
- External side loading film reel



Model	Semi-Auto series
Speed	10 overwraps per minute*
'a' length	60-300mm
'b' width	40-200mm
'c' height	25-100mm

Semi-Auto series

- Trailing edge seal and base seal presentation
- Single phase electricals and no pneumatics
- Fully flexible - no change parts
- Manual sleeve wrap
- Automatic tuck and fold
- Individual pack transportation through folding deck and end sealers



Model	B series	B series wide
Speed	60 overwraps per minute*	40 overwraps per minute*
'a' length	50-305mm	50-450mm
'b' width	25-250mm	55-300mm
'c' height	10-150mm	10-150mm

B series

- Relay logic control
- Mechanical gripper film pull system
- Simple operation and maintenance
- Large pack size capability
- External side loading film reel
- Quick release size changeover via change parts



Model	TML series
Speed	40 overwraps per minute*
'a' length	45-300mm
'b' width	37-200mm
'c' height	20-100mm

TML series

- PLC Control system with HMI
- Simple operation and maintenance
- External side loading film reel
- Simple and fast pack size changeover
- Individual pack transportation through folding deck and end sealers



Model	BX series	BX series wide
Speed	60 overwraps per minute*	40 overwraps per minute*
'a' length	50-305mm	50-450mm
'b' width	25-250mm	55-300mm
'c' height	10-150mm	10-150mm

BX series

- PLC Control system with HMI
- Mechanical gripper film pull system
- Simple operation and maintenance
- Large pack size capability
- External side loading film reel, expanding & adjustable mandrel
- Quick release size changeover via change parts
- Splice deck
- Front or side feed product flow
- Multipack collation options



Model	TM series
Speed	60 overwraps per minute*
'a' length	45-300mm
'b' width	40-200mm
'c' height	15-125mm

TM series

- PLC Control system with HMI
- Large pack size capability
- Simple and fast pack size changeover
- Multipack collation options
- Servo driven film feed and transfer pusher
- Individual pack transportation through folding deck and end sealers
- Vertical feed vacuum film transfer



Model	LX series	LX series wide	LXH series
Speed	70 overwraps per minute*	40 overwraps per minute*	90 overwraps per minute*
'a' length	50-305mm	50-450mm	50-305mm
'b' width	25-250mm	55-300mm	25-150mm
'c' height	10-150mm	10-150mm	10-70mm

LX series

- PLC Control system with HMI
- Mechanical gripper film pull system
- Simple operation and maintenance
- Large pack size capability
- External side loading film reel, expanding & adjustable mandrel
- Quick release size changeover via change parts
- Splice deck
- Front or side feed product flow
- Multipack collation options



Model	TMX series	TMH series
Speed	70 overwraps per minute*	100 overwraps per minute*
'a' length	45-300mm	45-300mm
'b' width	40-200mm	40-120mm
'c' height	15-100mm	15-50mm

TMX series

- Siemens or Allen Bradley PLC control system
- Multi axis servo motor drives
- Large pack size capability
- External side loading film reel, expanding and adjustable mandrel
- Rapid pack size change
- Multipack collation options
- Individual pack transportation through folding deck and end sealers
- Vertical feed vacuum film transfer



Model	ME 120B series
Speed	120 overwraps per minute*
'a' length	50-290mm
'b' width	28-140mm
'c' height	10-90mm

ME 120B series

- Siemens SIMOTION or Allen Bradley PLC control system
- Multi axis servo motor drives
- Large pack size capability
- Side loading film reel, expanding & adjustable mandrel
- Rapid pack size change
- Side feed vacuum film transfer
- Rotary knife
- Overhead individual pack transportation through folding deck and end sealers



Model	ME 300T series
Speed	300 overwraps per minute*
'a' length	70-180mm
'b' width	40-70mm
'c' height	10-50mm

ME 300T series

- Siemens or Allen Bradley PLC control system
- Multi axis servo motor drives
- Large pack size capability
- Simple and fast size changeover
- Rotary knife
- Individual pack transportation through folding deck and end sealers
- Rotary Turret pack process
- Internal Pack Shrink Unit





enhance

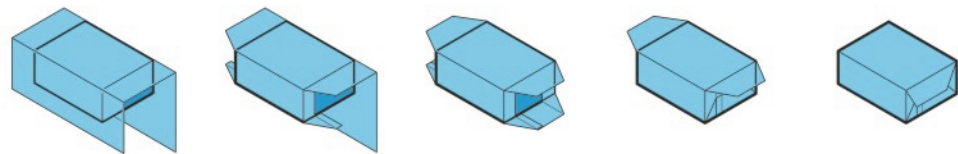


protect



secure

Marden Edwards, founded more than 50 years ago, is the world leader in the development, design, manufacture and supply of overwrapping and packaging machinery. Over 10,000 overwrapping systems have been manufactured in our UK factories and supplied into more than 150 countries worldwide.



A complete range of tuck and fold overwrapping machines cover a wide range of applications for a variety of products, formats, and performance. We have a comprehensive worldwide network of trade partners to ensure the permanent availability of expertise and service local to you.



OVERWRAPPING TECHNOLOGY

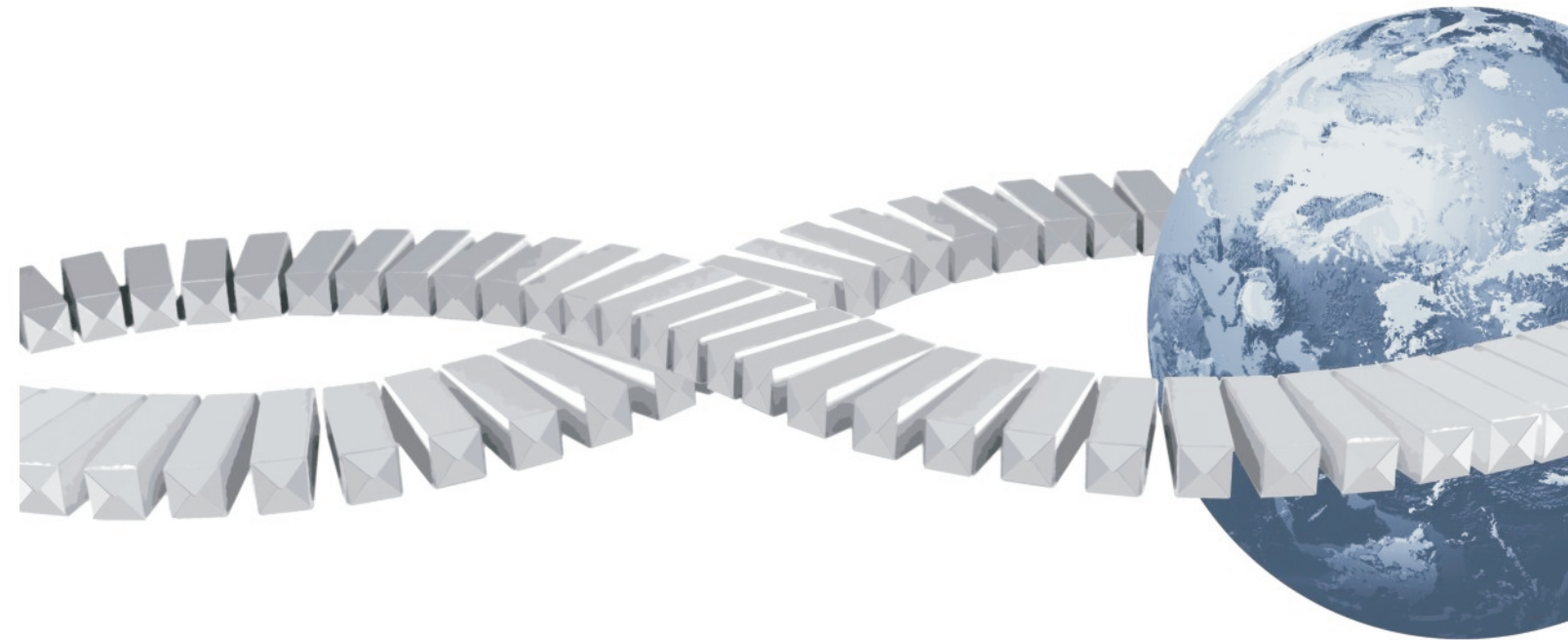
2 Nimrod Way, East Dorset Trade Park,
Wimborne, Dorset, BH21 7SH, UK

Tel +44 (0) 1202 861200
Fax +44 (0) 1202 861400
info@mardenedwards.com
www.mardenedwards.com

Connect with us



world class | overwrap



enhance



protect



secure



OVERWRAPPING TECHNOLOGY

+44 (0) 1202 861200

MARDENEDWARDS.COM