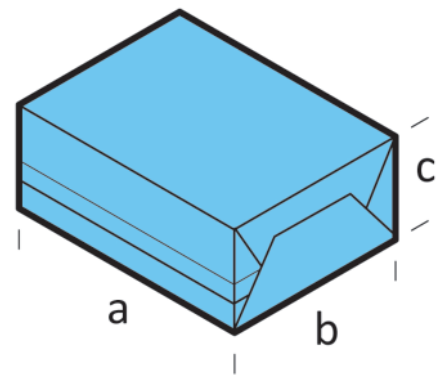


ME 300T Series

- Trailing edge seal presentation
- Multi axis servo motor system
- Rotary turret pack process
- Large pack size capability with quick change parts



Model	ME 300T series
Speed	300 overwraps per minute*
'a' pack length	70-180mm
'b' pack width	40-70mm
'c' pack height	10-50mm

* Maximum for this range, output speed depends on pack size. Other range, speeds and pack size capabilities are available.

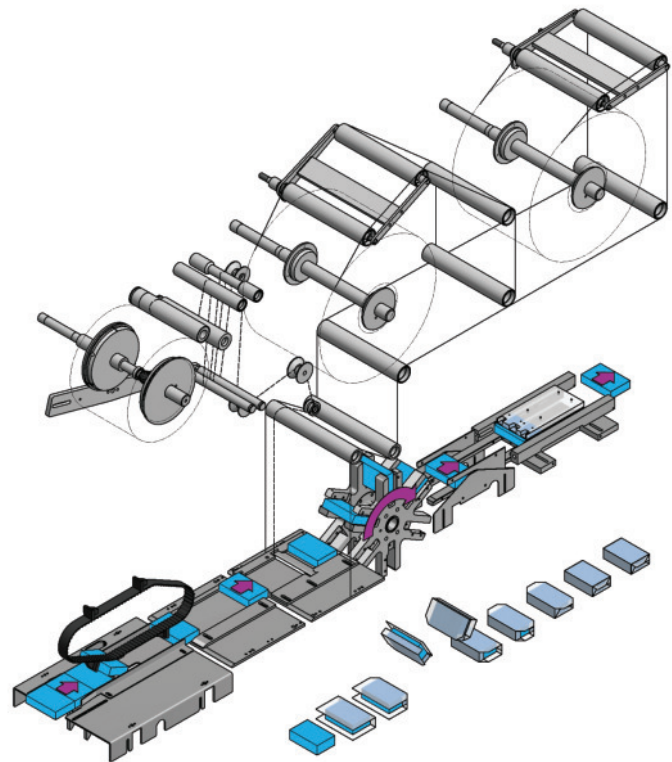
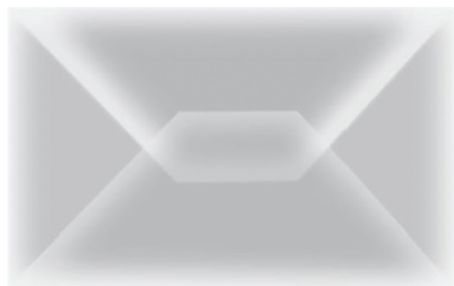
All ME 300T series overwrappers comply with international safety standards, are supplied fully guarded and CE marked.

Standard fitments include:

- Multi axis servo motor system
- Siemens SIMOTION or Allen Bradley PLC control system
- External side loading film reel, expanding mandrel type
- Quick release size changeover via change parts
- Rotary knife
- Rotary turret pack process

Optional fitments include:

- Tear tape applicator
- Print registration facility
- Additional film reel
- Manual film splice station
- Outfeed conveyor options





enhance



protect



secure

Marden Edwards, founded more than 50 years ago, is the world leader in the development, design, manufacture and supply of overwrapping and packaging machinery. Over 10,000 overwrapping systems have been manufactured in our UK factories and supplied into more than 150 countries worldwide.

A complete range of tuck and fold overwrapping machines cover a wide range of applications for a variety of products, formats, and performance. We have a comprehensive worldwide network of trade partners to ensure the permanent availability of expertise and service local to you.



OVERWRAPPING TECHNOLOGY

2 Nimrod Way, East Dorset Trade Park,
Wimborne, Dorset, BH21 7SH, UK

Tel +44 (0) 1202 861200

Fax +44 (0) 1202 861400

info@mardenedwards.com

www.mardenedwards.com

Connect with us

